



Description

SP04 series LED sports light offer 56,000lm-270,000lm, flexible solution to cover medium and large stadium lighting projects. The modular design support single LED module tilt adjustable, to achieve precise lighting performance. With special materials and surface treatment, SP04 offer excellent anti-corrosion ability, it is a good choice for harbour lighting.

Key Features

- Modular design 400W 480W 600W 800W 960W 1200W 1500W 1800W.
- No backlight, no up-light and no spill light.
- Professional and unique optics options could effectively control glare and ensure the good uniformity.
- Adjustable bracket design obtains the best uniformity.
- Excellent anti-corrosion performance.
- Provided with 20KV surge protection devices.
- IP66 and IK08 protection.

Applications

- Square
- Outdoor stadium
- Exhibition center
- Soccer field
- Airport
- Railway station

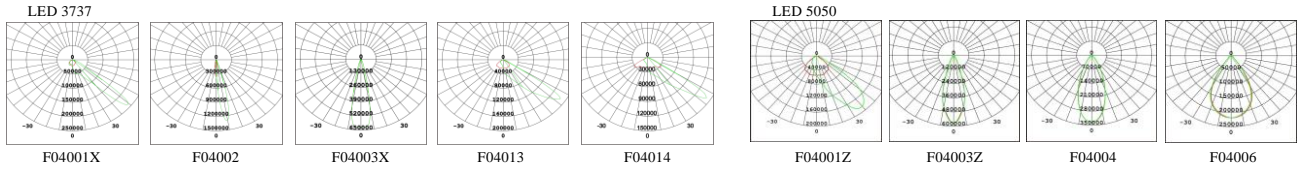
Electrical Information			
Power Consumption(±5%)	400W	480W	600W
Power Supply	Done		
Input Voltage	120-240VAC, 50/60 Hz		
Power Factor	>0.97		
Surge Protection	10KV line-line, 20KV line-earth		
Driver Type	Constant Current (CC)		
Control	DALI, DMX		

Optic Information			
LED Type	LED 3737		
Luminous Flux (±10%)	54800lm	67680lm	84000lm
Efficacy(lm/W)	137lm/W	141lm/W	140lm/W
Beam Angle	F04001X,F04002,F04003X,F04013,F04014		
Correlated Color Temperature	5700K (3000K, 4000K optional)		
Color Rendering Index	Ra70 (Ra80, Ra90 optional)		
UGR Level	NA		
LED Type	LED 5050		
Luminous Flux (±10%)	59600lm	73440lm	93000lm
Efficacy(lm/W)	149lm/W	153lm/W	155lm/W
Beam Angle	F04001Z,F04003Z,F04004,F04006		
Correlated Color Temperature	5700K (3000K, 4000K optional)		
Color Rendering Index	Ra70 (Ra80, Ra90 optional)		
UGR Level	NA		

Dimensions and Mount			
Product Dimension	479x250x185mm	479x266x185mm	479x283x185mm
Luminaire Net Weight (±0.3kg/0.66Lbs)	Lamp body:6.3kg Driver box: 3.6kg	Lamp body:7.0kg Driver box: 4.2kg	Lamp body:7.8kg Driver box: 4.7kg
Export Carton Size	510x355x250mm	510x370x250mm	510x400x250mm
Gross Weight (±0.3kg/0.66Lbs)	10.6kg	11.1kg	12.5kg
Mounting Option	Bracket mounting		
Material	Aluminum alloy		
	Polycarbonate optical lens and glass cover		
Finish	Powder coating		
Fixture Color	Black (RAL9017)		
EPA	0.09m ² /0.96ft ²	0.11m ² /1.15ft ²	0.12m ² /1.34ft ²
IK Rating	IK08		
IP Rating	IP66		
Category of corrosion	C4(ISO 9223:2012)		

Lifespan and Warranty	
Operating Temperature	-30°C to +50°C (-22°F to 122°F)
Life Time of LED @Ta=25°C (3737)	82000hrs-L90
	197000hrs-L80
	326000hrs-L70
	550000hrs-L90
Life Time of LED @Ta=25°C (5050)	118000hrs-L80

New Features	

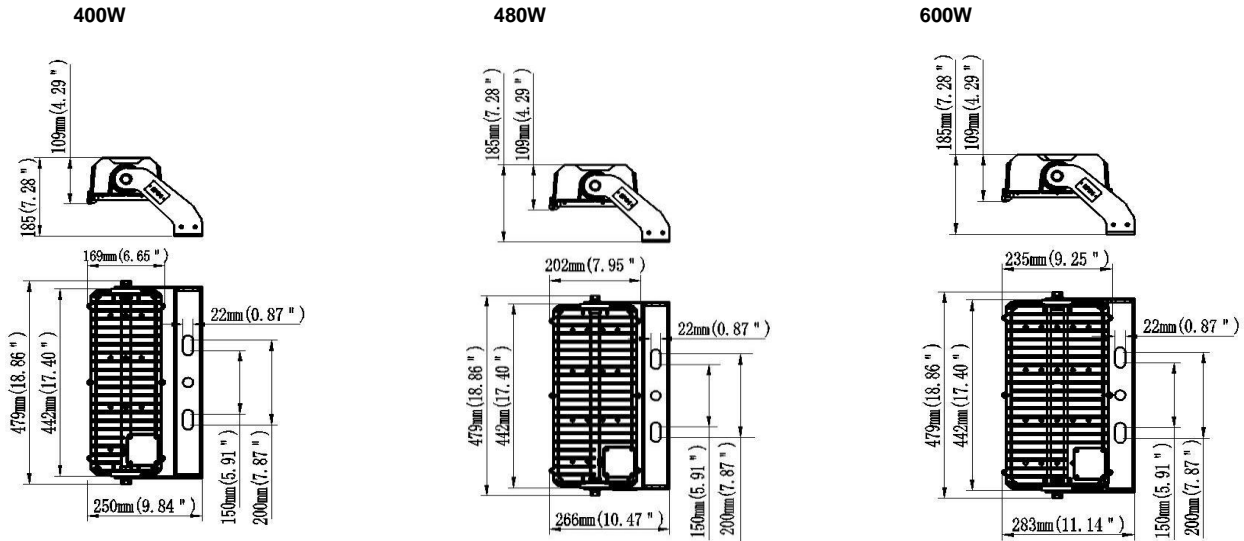


Mounting Options

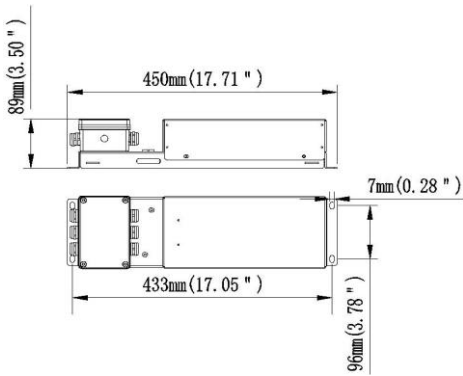


Bracket mounting

Dimensions



400/480/600W driver



Accessories



Precision Aiming Device
Accurate adjustment of luminaire projected position.
Code: BC-S04-02



Visor
SPCC materials with outdoor powder coating.
(L130 for F04002, F04003X, F04003Z, F04004, F04006)

Code: BC-S04-01



Visor
SPCC materials with outdoor powder coating.
(L39 for F04001X, F04001Z, F04013, F04014)

Code: BC-S04-03



Electrical Information					
Power Consumption(±5%)	800W	960W	1200W	1500W	1800W
Power Supply	Done		Inventronics/uPowerTek	Upshine	
Input Voltage	120-240VAC, 50/60 Hz		220-240VAC, 50/60 Hz 180-440VAC, 50/60 Hz	200-420VAC, 50/60 Hz	
Power Factor	>0.97		>0.96	>0.95	
Surge Protection	10KV line-line, 20KV line-earth				
Driver Type	Constant Current (CC)				
Control	DALI, DMX				

Optic Information					
LED Type	LED 3737				
Luminous Flux (±10%)	112000lm	134400lm	168000m	210000lm	252000lm
Efficacy(5700K Ra70)	140lm/W				
Beam Angle	F04001X,F04002,F04003X,F04013,F04014				
Correlated Color Temperature	5700K (3000K, 4000K optional)				
Color Rendering Index	Ra70 (Ra80, Ra90 optional)				
UGR Level	NA				
LED Type	LED 5050				
Luminous Flux (±10%)	120000lm	144000lm	180000lm	225000lm	270000lm
Efficacy(5700K Ra70)	150lm/W				
Beam Angle	F04001Z,F04003Z,F04004,F04006				
Correlated Color Temperature	5700K (3000K, 4000K optional)				
Color Rendering Index	Ra70 (Ra80, Ra90 optional)				
UGR Level	NA				

Description

SP04 series LED sports light offer 56,000lm-270,000lm, flexible solution to cover medium and large stadium lighting projects. The modular design support single LED module tilt adjustable, to achieve precise lighting performance. With special materials and surface treatment, SP04 offer excellent anti-corrosion ability, it is a good choice for harbour lighting.

Key Features

- Modular design 400W 480W 600W 800W 960W 1200W 1500W 1800W.
- No backlight, no up-light and no spill light.
- Professional and unique optics options could effectively control glare and ensure the good uniformity.
- Adjustable bracket design obtains the best uniformity.
- Excellent anti-corrosion performance.
- Provided with 20KV surge protection devices.
- IP66 and IK08 protection.

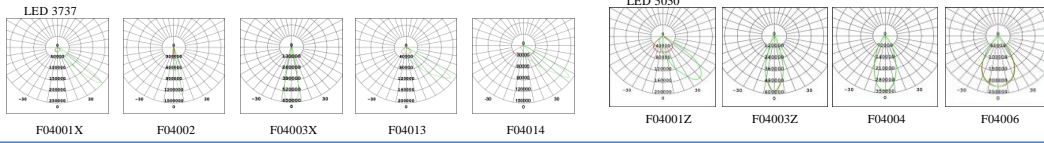
Applications

- Square
- Outdoor stadium
- Exhibition center
- Soccer field
- Airport
- Railway station

Dimensions and Mount					
Product Dimension	510x429x232mm	510x527x298mm	510x560x298mm	515x777x310mm	515x833x310mm
Luminaire Net Weight (±0.3kg/0.66Lbs)	Lamp body:13.7kg Driver box:5.4kg	Lamp body:16.4kg Driver box:6.6kg	Lamp body:18.8kg Driver box:6.6kg	Lamp body:24.8kg Driver box:6kg	Lamp body:28kg Driver box:6kg
Export Carton Size	600x570x250mm	715x610x265mm	750x610x265mm	960x610x310mm	1025x610x310mm
Gross Weight (±0.3kg/0.66Lbs)	22.2kg	26.4kg	29kg	35.1kg	38.4kg
Mounting Option	Bracket mounting				
Material	Aluminum alloy				
Finish	Powder coating				
Fixture Color	Black (RAL9017)				
EPA	0.18m ² /1.92ft ²	0.22m ² /2.3ft ²	0.24m ² /2.68ft ²	0.33m ² /3.45ft ²	0.36m ² /4.02ft ²
IK Rating	IK08				
IP Rating	IP66				
Category of corrosion	C4(ISO 9223:2012)				

Lifespan and Warranty	
Operating Temperature	-30°C to +50°C (-22°F to 122°F)
Life Time of LED @Ta=25°C (3737)	82000hrs-L90
	197000hrs-L80
	326000hrs-L70
Life Time of LED @Ta=25°C (5050)	55000hrs-L90
	118000hrs-L80
	190000hrs-L70
Warranty	5 years

New Features	

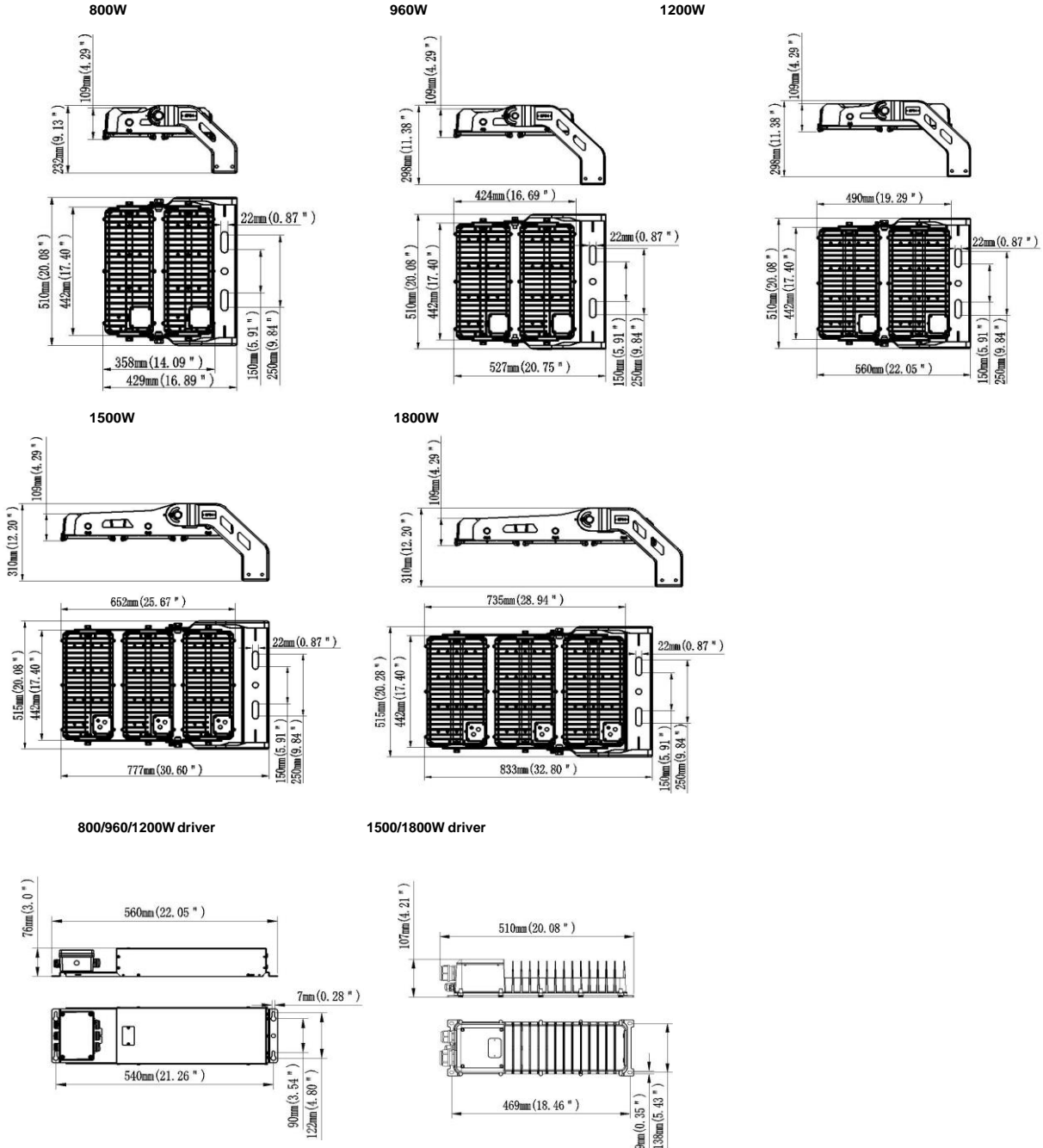


Mounting Options



Bracket mounting

Dimensions



Accessories



Precision Aiming Device
 Accurate adjustment of luminaire projected position.
Code: BC-S04-02



Visor
 SPCC materials with outdoor powder coating.
 (L130 for F04002, F04003X, F04003Z, F04004, F04006)
Code: BC-S04-01



Visor
 SPCC materials with outdoor powder coating.
 (L39 for F04001X, F04001Z, F04013, F04014)
Code: BC-S04-03