



MBL-GCR23 LED specifications

Anti-corrosion version



Electrical Information					
Power Consumption (±5%)	50W	100W	150W	200W	300W
Power Supply	DONE		SOSEN		
Input Voltage	220-240VAC, 50 / 60 Hz				
Power Factor	>0.90		>0.95		
Surge Protection	6kV line-line, 6kV line-earth		6kV line-line, 10kV line-earth		6kV line-line, 12kV line-earth
Driver Type	Constant Current (CC)				
Control	1-10V dimmable				

Optic Information					
LED Type	SMD 3030				
Luminous Flux (±10%)	7000LM	14000LM	21000LM	28000LM	42000LM
Efficacy (5000K Ra70)	140LM/W				
Correlated Color Temperature	5000K (3000K, 4000K optional)				
Color Rendering Index	Ra70 (Ra80 optional)				
Beam Angle	F06401, F06402, F06403, F06404	F12801, F12802, F12803, F12804	F19201, F19202, F19203, F19204	F22401, F22402, F22403, F22404	F38401, F38402, F38403, F38404
UGR level	/				

Description

In seaside application, wet air with salt water threaten normal LED luminaire lifespan, anti-corrosion is always the problem that LED light manufacturer should consider. MBL-GCR23 LED flood light anti-corrosion version is aiming to seaside application. Based on normal features such as multiple beam angle options, full wattage from 50W-300W, best cost-effective with different size of molds. It is specially adopted double surface treatment to provide excellent anti-corrosion ability, MBL-GCR23 anti-corrosion version will be a real product for seaside application.

Key Features

- External vent/Respirator: Avoid internal fogging and frosting.
- Private tooling in unique and nice outlook.
- Wide choice of optics to suit more applications (asymmetrical and symmetrical).
- Uniform design covering the best sellers 50W-100W-150W-200W-300W
- Electrophoresis and powder coating, double surface treatment.
- Stainless steel bracket, well anti-corrosion performance.

Dimensions and Mount

Product Dimension	267×228×55mm	314×269×61mm	360×302×67mm	398×343×70mm	470×406×80mm
Luminaire Net Weight	1.8kg	2.8kg	3.9kg	5.3kg	8.1kg
Export Carton Size	320×110×265mm	390×115×315mm	430×120×345mm	470×125×385mm	545×135×450mm
Gross Weight	2.1kg	3.2kg	4.4kg	5.9kg	8.8kg
Mounting Option	Bracket Mounting				
Material	Aluminum Alloy, Stainless steel bracket Tempered Glass, Polycarbonate Optical Lens				
Finish	Electrophoresis, Powder coating				
Fixture Color	Luminaire body and bracket: gray color(C30776S0JP) Tempered glass: gray color				
EPA	0.49ft ²	0.71ft ²	0.91ft ²	1.18ft ²	1.73ft ²
IK Rating	IK08				
IP Rating	IP66				

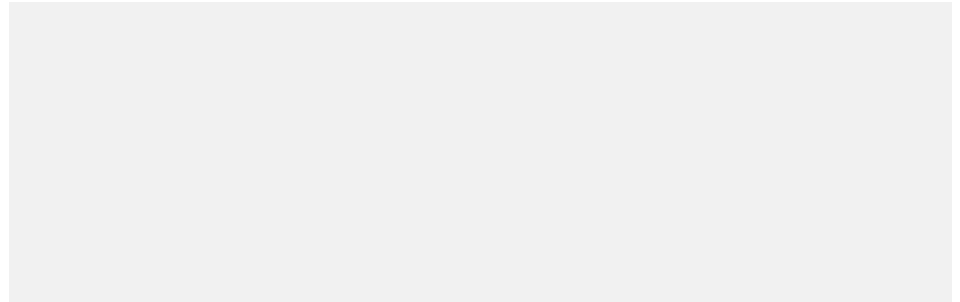
Lifespan and Warranty

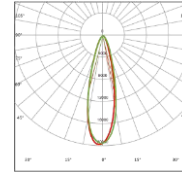
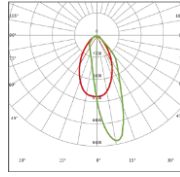
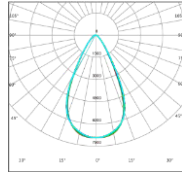
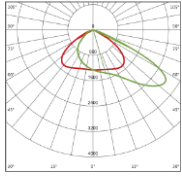
Operating Temperature	-30°C to + 50°C
Life Time of LED @Ta=25°C	67000hrs-L70
Warranty	5 Years

Applications

- Seaside
- Swimming pool
- For recreational sports (tennis courts, basketball courts..)
- Exhibition Center
- Shopping Mall
- Stadium
- Accent lighting
- Parking lots

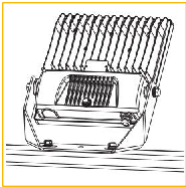
New Features





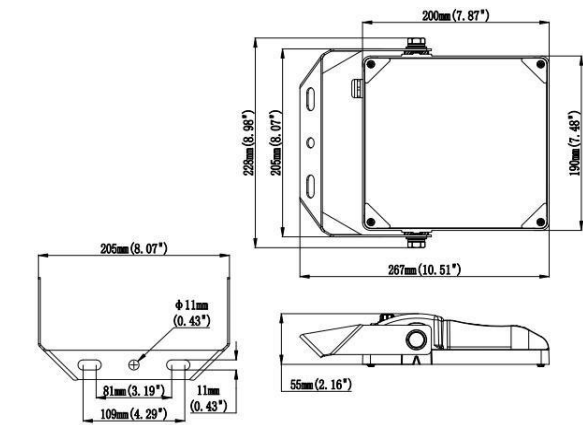
50W beam angle:	F06401	F06402	F06403	F06404
100W beam angle:	F12801	F12802	F12803	F12804
150W beam angle:	F19201	F19202	F19203	F19204
200W beam angle:	F22401	F22402	F22403	F22404
300W beam angle:	F38401	F38402	F38403	F38404

Mounting Options

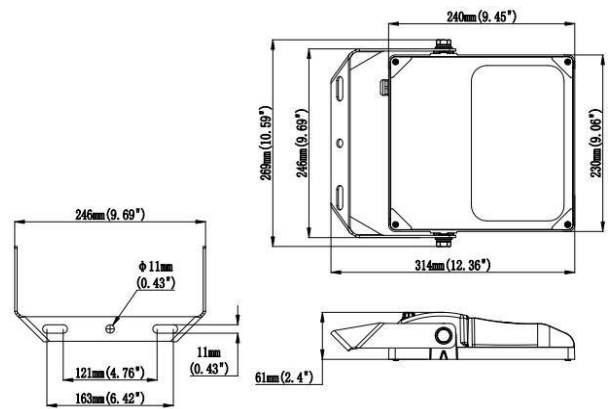


Bracket mounting

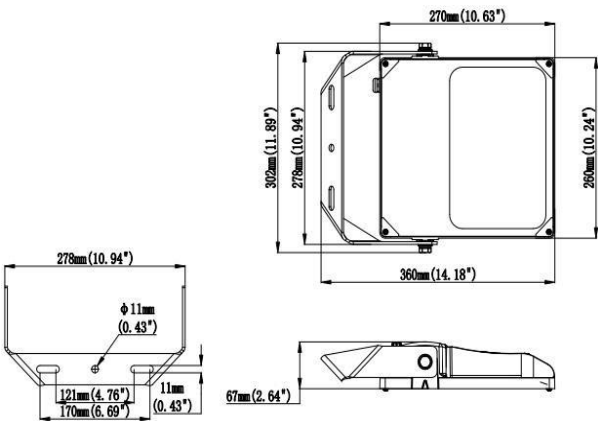
Dimensions



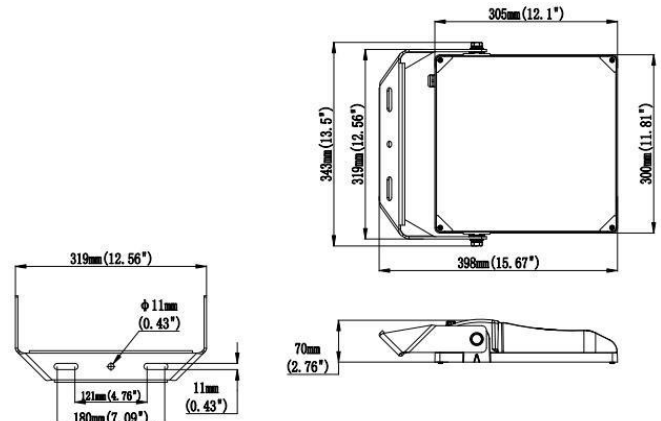
50W



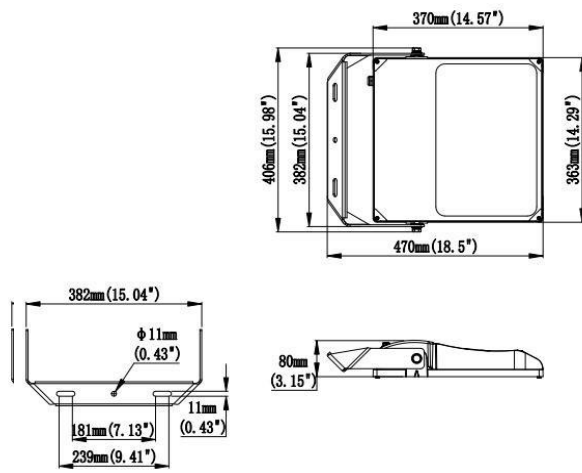
100W



150W



200W



300W

Accessories